

FSB @ allgood



FSB  
ErgoSystem®

FSB @ allgood

## Introducing ErgoSystem®

### The barrier-free washroom range from FSB

People who have trouble gripping, sitting, standing or seeing appreciate the way it allows them to live independently, without compromising on style. Others simply appreciate its intelligent design and minimalist charm.

In terms of form and function, ErgoSystem® is in a class of its own. The showerhead holder, hanging shower seat and tilting mirror all won the Red Dot Award for Product Design in 2008.

The entire range has been designed according to the principles of ergonomics. The grips are oval, to fit the natural curve of a clasped hand – making it significantly easier to grip than a circular rail, using considerably less force. The 45 degree tilt of the grab rails create a triangle between the hand, shoulder and floor, for maximum stability. Even the shower head holder has been designed to work with the use of only a couple of fingers.

Every aspect of the design has been thought through in great detail. It's about understanding how and why people use these objects in real life, and helping them do more with minimal effort and force.



# FSB ErgoSystem®

The FSB ErgoSystem® makes day  
to day life noticeably easier.



# E300 ErgoSystem<sup>®</sup> Range

The original award-winning  
stainless steel system from FSB.





## E300 ErgoSystem®

### The stainless steel range

Strong, durable and corrosion-resistant, the FSB E300 range in stainless steel works especially well in bathrooms and other sanitary areas. Even when subjected to rough treatment and heavy use, it remains pristine. The mix of chrome and nickel requires very little care and is easy to clean.

The stainless steel range comes in two finishes: satin (in stock) or polished (made to order). The satin finish is particularly hard-wearing and the polished finish is a more environmentally friendly alternative to chrome.

All accents and support brackets are in black/grey (RAL 7021) which also aids the visually impaired.





### Drop-Down Support Rail

- Adjustable spring loading for optimum grip and support
- Ergonomic oval hand grip with 45° diagonal tilt
- Stainless-steel cover panels conceal fixings
- Load-bearing capacity up to 150 kg
- Also available to suit A-Flex system

Part Number: 48224L-R



### Fixed Support Rails

- Ergonomic oval hand grip with 45° diagonal tilt
- Also available in a number of configurations to suit bath and shower areas
- Other configurations supported by black/grey (RAL 7021) aluminium wall brackets

Part Number: 48201



### Back Support Rail

- Back support made of soft, hygienic polyurethane
- Easy to combine with FSB ErgoSystem® drop-down support rail

Part Number: 48247

FSB@allgood





### Shower Head Holder

The award-winning shower head holder is especially ingenious. You can tilt, raise and lower it using only two fingers, without any turning action.

So you can easily adjust it with one hand, while supporting yourself with the other. And you can change it from right-handed to left-handed, to suit different people.

Part Number: 48239.1



### Folding Shower Seat

- Sitting surface made of soft, hygienic polyurethane
- Spring-supported folding function for easy operation
- Capable of supporting up to 150kg

Part Number: 48251



### Suspended Shower Seat

- Sitting surface made of soft, hygienic polyurethane
- Spring-supported folding function for easy operation
- Capable of supporting up to 150kg

Part Number: 48250



### Free Standing Stool

- Sitting surface made of soft, hygienic polyurethane

Part Number: 48243

### Suspended Bath Seat

- Sitting surface made of soft, hygienic polyurethane

Part Number: 48240



### Tilting Mirror

- Actuation bar in black/grey (RAL 7021) aluminium
- Easily adjustable with a 0° to 12° tilt angle

Part Number: 48260.53



### Utensil Shelf

- Non-slip plastic surface
- 7.5° tilt towards the wall assists with placing items safely

Part Number: 48240



### Beaker Holder & Beaker

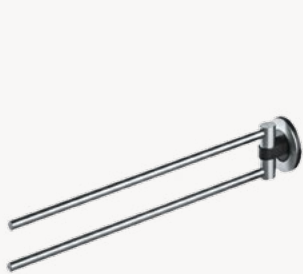
- Ergonomic beaker tilts towards user

Part Number: 48260.41

### Soap Holder

- Removable polycarbonate soap dish

Part Number: 48260.40



### Twin Pivoting Hand Towel Holder

- Rails pivot independently

Part Number: 48260.10



### Fixed Bath Towel Holders

- Single and double holders for shower and bath area

Part Numbers: 48260.21 / 48260.11



### Wall Hooks

- Available in various sizes

Part Number: 48260.06 (A)

Part Number: 48260.04 (B)

Part Number: 48260.02 (C)



#### Wall Mounted WC Brush Set

- Brush is automatically centred for convenient removal
- Large opening for brush
- Removable brush container with internal reservoir for disinfectant

Part Number: 48260-42



#### Toilet Roll Holder

- Sprung roller brake allows for single-handed unrolling and tearing off of toilet paper

Part Number: 48260.130



#### Spare Toilet Roll Holder

- Holds up to two rolls of toilet paper

Part Number: 48260.32



Part Number: 48244.41

Part Number: 48244.01

## A-Flex for E300 ErgoSystem®

A-Flex gives you the freedom to install or remove the E300 ErgoSystem® drop-down rails and shower seats instantly, on demand – especially useful for hotels and hospitals, who need the flexibility to suit different guests and patients.

A special A-Flex plate is attached to the wall. Then, the drop-down rail or hanging seat simply slots into place. When they're not being used, a discreet covering plate neatly covers the fittings, making them barely noticeable.



Part Number: 48244.02

# A100 Range

The award winning flexible aluminium system from FSB.



## A100 ErgoSystem®

### The aluminium range

Like stainless steel, aluminium is also highly durable.

The range also comes in a variety of colours and finishes, from matt to high gloss, giving you the power to create contrasts or accents, making rails and other supports easier to see (especially for people with visual impairments).

The powder coating used to create these colours also gives the gripping surfaces a more textured finish, making them easier to handle.

Handles, hand rails and utensil shelves come in Anthracite Grey (matt), Oyster Grey (matt) and Anemone White (gloss). The supports, fixings and other working parts can be the same or a contrasting colour, with the additional option of Aluminium Grey Metallic.

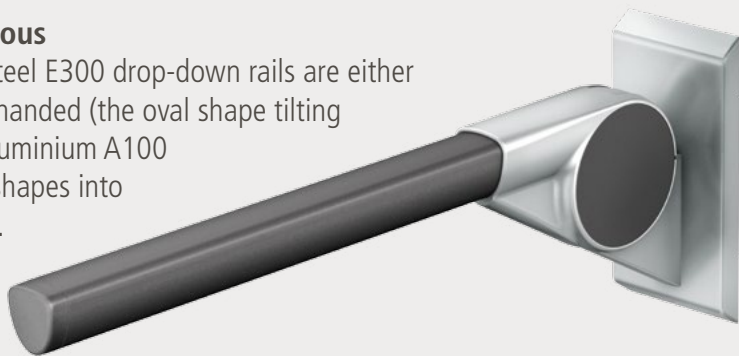




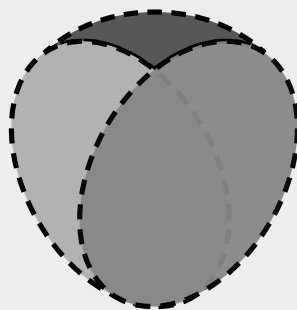
### **A is for ambidextrous**

While the stainless steel E300 drop-down rails are either right-handed or left-handed (the oval shape tilting towards you), the aluminium A100 range mirrors these shapes into a single-handed unit.

This makes them easy to grip from either side, with either hand.



*This diagram shows how the A100's double-oval shape is made up of two 45 degree angles.*





### Drop-Down Support Rail

- Adjustable spring loading
- Lateral load-bearing capacity of 60kg, or 100kg from above on the front edge

Part Number: 48420.85

### Cover Plate for A100 Drop Down Rail

- Discreetly conceals wall bracket when drop down rail is not in use

Part Number: 48421.01

### Fixed Support Rail

- Ergonomic oval hand grip with 45° diagonal tilt
- Also available in a number of configurations to suit bath and shower areas

Part Number: 48401.60



### Shower Head Holder

- Colour co-ordinated for the A100 range

Part Number: 48290.10



### Utensils Tray

- Adopts the wedge shape of the wall supports for visual consistency

Part Number: 48460.10



### Utensils Tray with Grab Rail

- Integrated handrail

Part Number: 48460.11



### Fixed Bath Towel Holder

Part Number: 48460.01

### Twin Pivoting Hand Towel Holder

Part Number: 48460.02



### Corner Shelf

- Attaches to angled support rails
- Can be retrofitted at any time
- Unobtrusive - does not get in the way of grasping hand

Part Number: 48460.13



### Wall Hooks

- Available in two sizes
- Part Number: 48460.04



### Toilet Roll Holder

- Sprung roller brake allows for single-handed unrolling and tearing off of toilet paper

Part Number: 48460.05



### Spare Toilet Roll Holder

- Holds up to two rolls of toilet paper

Part Number: 48460.07



### Wall mounted WC brush set

- Brush is automatically centred for convenient removal
- Large opening for brush
- Removable brush container with internal reservoir for disinfectant

Part Number: 48460.08

FSB@allgood







**Contact Us**

t: 020 7387 9951

e: [info@allgood.co.uk](mailto:info@allgood.co.uk)

[www.allgood.co.uk/FSB](http://www.allgood.co.uk/FSB)

18 Holborn,  
London, EC1N 2LE  
t: 020 7387 9951

63-83 Brearley Street,  
Birmingham, B19 3NT  
t: 0121 359 4415

Warth Business Centre,  
Warth Road, Bury,  
Greater Manchester, BL9 9NB  
t: 0161 834 6717

The Wright Business Centre,  
Glasgow, G33 4EL  
t: 0141 773 6298