



4400

hand-drawn

for light, medium- and heavy-weight curtains



**Elegant track with
attractive curves**





4400

hand-drawn elegant & rounded

The Goelst 4400 track is an elegant rounded profile that can be mounted invisibly on a ceiling. The flange on the visible side minimises the gap between the ceiling and the track. The curtains glide smoothly virtually without sound. A very popular track that can be used in a wide variety of situations, such as private homes, but also in office buildings and in the care sector.

- The ideal track for sheers, medium-heavy or heavy curtains.
- Easy to bend and exceptional quality.
- Can be forward or reverse bent in different radii.
- Compatible with the Goelst Flow System for regularly pleated curtains.
- Silent and smooth running, also round bends.
- Compatible with LRS gliders.



Standard colours



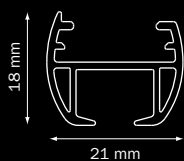
High quality, wear-resistant coating, highly colourfast, UV-resistant.
Other RAL colours & special coatings on request.

Features

Material:	aluminium
Colour:	white, natural anodised, black
Dimensions:	18 x 21 mm
Weight profile:	229 gr/m ¹
Mounting:	wall or ceiling

Profile specifications

Aluminium profile:



Colours with RAL code and lengths (m):

	RAL	4	5	6	7
white	9010			•	
natural				•	
black	9005			•	

Mounting surface:

- wood
- masonry/concrete

Bracket type:

- ceiling bracket
- spacer bracket

Bending:

bending radius	bending tool
R 10 cm	1015
R 15 cm	1015
R > 80 cm	1018

R 10 cm

R > 80 cm

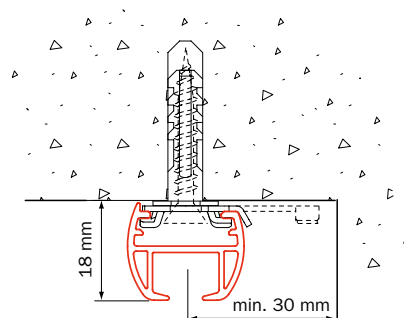
Flow

The Goelst Flow System keeps pleats in curtains consistent. It can be used with small and wide channel tracks and, because of the broad assortment of components, it can be integrated in hand-drawn, cord-pulled and electrically operated systems.

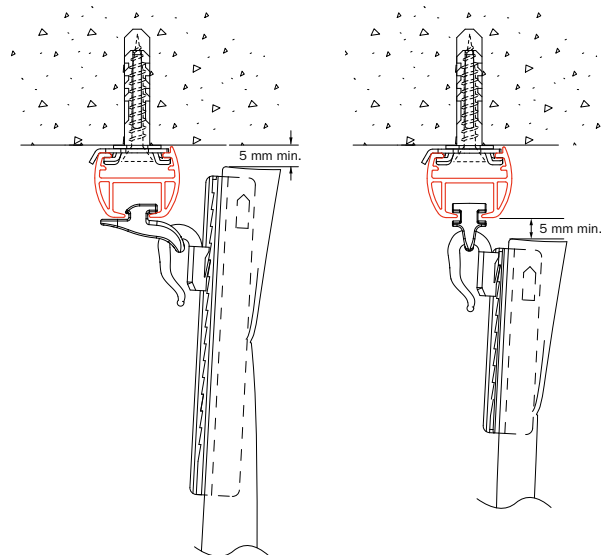
The Flow System can also be used with curved curtain tracks. For further information, see the Flow product data sheet.



Mounting



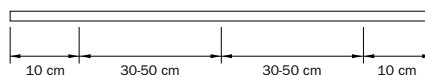
Ceiling mounting 4400 with fixing clamp 4450, including washer (a minimum gap of 30 mm has to be left for tightening the fixing clamp)



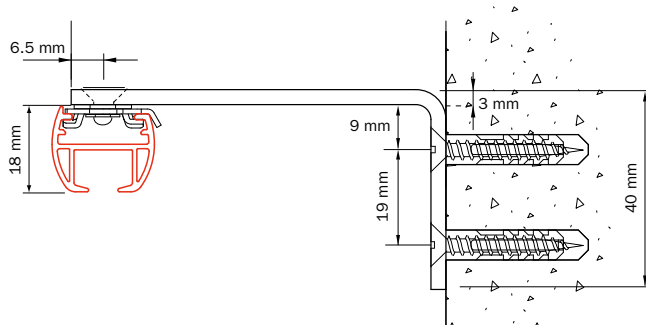
4400 with head with 6010

4400 with head with 4010

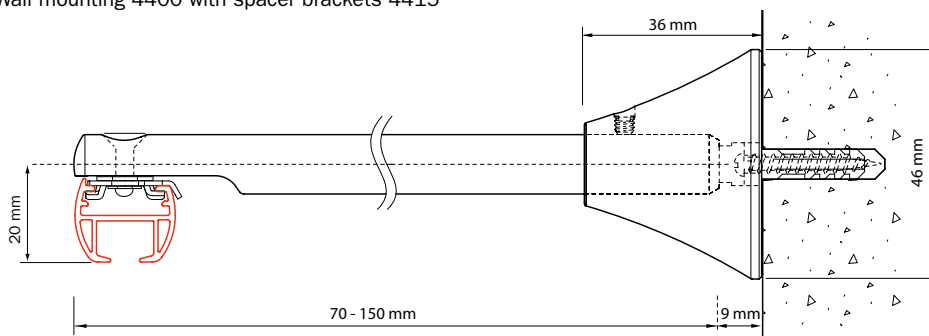
Mounting guideline



The distance between the brackets can vary depending on the following factors: the mounting surface (wood, concrete or plaster), the weight of the curtains and the curtain fabric production method, the specific application and the system usage intensity. General advice: with the curtains open, place additional brackets where the pleats bunch together. Also place additional brackets before and after bends.



Wall mounting 4400 with spacer brackets 4415



Wall mounting 4400 with adjustable extension bracket 4417

Specification guide

Material

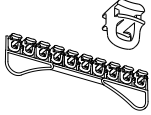
- Aluminium EN AW-6060-T66.
- Anodised in accordance with the Qualanod standard.
- Powder coated in accordance with the Qualicoat standard.

Standard parts

Curtain transport

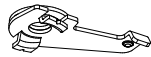


4001
end stop
white / grey / black



4010
glider
white / grey / black

Mounting

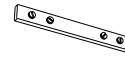


4450
bracket for 4400,
incl. ring

Accessories



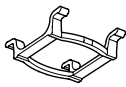
4453
endcap
white / grey / black



4452
connecting bridge
for 4400

Optional parts

Curtain transport



2004
brake glider
white / grey / black



4001-M-N
end stop metal with
eye natural



4002
end stop metal



4003
spring stop plastic
requires punch hole



4007
rotating glider white/
grey / silver / black



4007-LRS
rotating glider LRS
grijs / rotating glider
LRS rood



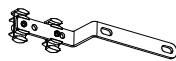
4010-50
glider white with
hook 2023



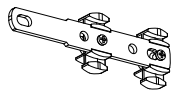
4012
click-in glider white



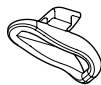
4020
heavy duty glider
white / grey / black



4074-1000
carrier with overlap,
a.o. for draw rod
white / natural
metallic / black



4075-1000
carrier without
overlap, a.o. for
draw rod white /
natural metallic /
black



6010
projection glider
white / grey /
black



2020
double hook
white



2021
G-Hook white



2022
curtain hook
white



2023
curtain hook
white

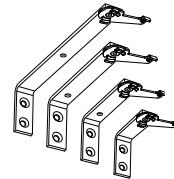


2024-55
adjustable sew
in hook white
55mm

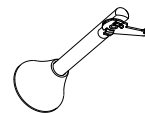


2024-95
adjustable sew
in hook white
95mm

Mounting



4415
extension bracket
5, 7.5, 10, 15 cm
white / natural
metallic / black



4417
adj. extension
bracket 7-15 cm,
white / natural
metallic / black

Accessories



4048-08MM
corner connection



7399
plexiglass draw rod
transparent



Goelst UK Ltd

Crimple Court | Hornbeam Park | Harrogate | HG2 8PB
Tel 01423 873002 | Fax 01423 874006 | info@goelstuk.com | www.goelst.co.uk